

Important notice

Dear Customer,

On 7 February 2017 the former NXP Standard Product business became a new company with the tradename **Nexperia**. Nexperia is an industry leading supplier of Discrete, Logic and PowerMOS semiconductors with its focus on the automotive, industrial, computing, consumer and wearable application markets

In data sheets and application notes which still contain NXP or Philips Semiconductors references, use the references to Nexperia, as shown below.

Instead of <http://www.nxp.com>, <http://www.philips.com/> or <http://www.semiconductors.philips.com/>, use <http://www.nexperia.com>

Instead of sales.addresses@www.nxp.com or sales.addresses@www.semiconductors.philips.com, use salesaddresses@nexperia.com (email)

Replace the copyright notice at the bottom of each page or elsewhere in the document, depending on the version, as shown below:

- © NXP N.V. (year). All rights reserved or © Koninklijke Philips Electronics N.V. (year). All rights reserved

Should be replaced with:

- © **Nexperia B.V. (year). All rights reserved.**

If you have any questions related to the data sheet, please contact our nearest sales office via e-mail or telephone (details via salesaddresses@nexperia.com). Thank you for your cooperation and understanding,

Kind regards,

Team Nexperia

UM10387

UBA2024AT SO14 18 W demo board

Rev. 3 — 25 January 2011

User manual

Document information

Info	Content
Keywords	UBA2024AT, half-bridge CFL driver, non-dimmable
Abstract	This document describes the correct use of the UBA2024AT half-bridge CFL driver demo boards for both 120 V and 230 V mains voltages and some circuit examples for up to 18 W



Revision history

Rev	Date	Description
v.3	20110125	third issue
v.2	20100406	second issue
v.1	20091001	first issue

Contact information

For more information, please visit: <http://www.nxp.com>

For sales office addresses, please send an email to: salesaddresses@nxp.com

1. Introduction

WARNING

Lethal voltage and fire ignition hazard



The non-insulated high voltages that are present when operating this product, constitute a risk of electric shock, personal injury, death and/or ignition of fire.

This product is intended for evaluation purposes only. It shall be operated in a designated test area by personnel qualified according to local requirements and labor laws to work with non-insulated mains voltages and high-voltage circuits. This product shall never be operated unattended.

Remark: Galvanic isolation of the mains phase using a variable transformer is always recommended. These devices can be recognized by the symbols shown in [Figure 1](#).

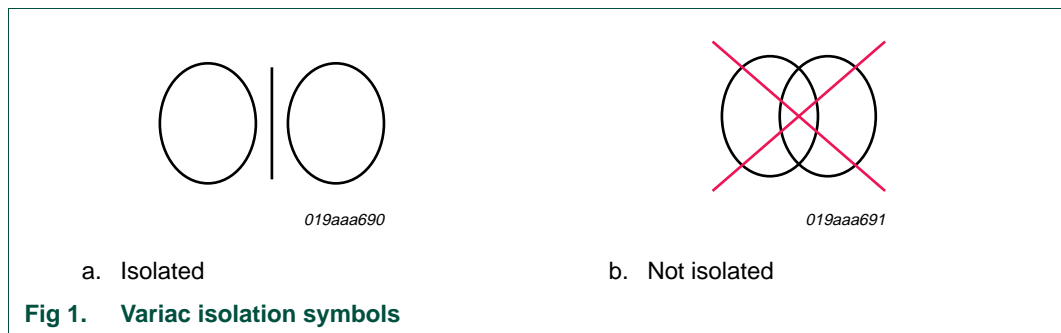


Fig 1. Variac isolation symbols

1.1 General description

The UBA2024AT circuit is a half-bridge driver IC which has been set up to drive a standard PLC-18W, G24q-2 socket based lamp or similar lamp types with a nominal lamp power of 16.5 W. The total power drawn from the mains is about 18 W at a nominal mains voltage of 230 V (RMS); 50 Hz or 120 V (RMS); 60 Hz. The board can easily be configured to drive different Compact Fluorescent Lamps (CFL) of different power ratings as some design examples will show by changing the inductor tap and applying a different lamp capacitor.

The UBA2024AT demo board is not recommended for driving lower voltage linear lighting lamps like the T5 or the T8. The UBA2021 is the optimal option for these type of lamps.

The IC is able to drive lamps up to 22 W provided the maximum junction temperature of the IC is not exceeded. There are no THD requirements for mains powers lower than 25 W so that a preconditioning function is obsolete.

The circuit is set up to perform a quasi preheat so the lamp will turn on approximately 0.7 s after the mains voltage has been applied to the board. For detailed design steps on the 18 W lamp solution or how to set-up lamps with other power ratings please consult the application note *AN10713 “18 W CFL lamp design using UBA2024 application development tool and application examples”*.

Depending on the ordered board the mains voltage operating range is either set for 90 V to 130 V (RMS) or 200 V to 250 V (RMS). Both voltage range strappings have been incorporated in one layout of the board. This makes easier to set-up the same board with a different voltage range.

Since the IC was intended as a cost-effective solution to drive CFLs with an integrated ballast (CFLi), the IC is not equipped with a thermal protection or open lamp detection. As the demo board has been set up around a detachable lamp, a protection circuit has been added to it to set the IC to a safe mode of operation when no lamp is attached to the circuit. This circuit is not needed in a typical CFL application.

Remark: If the UBA2024AT is used in a non-integrated ballast or a 'matchbox' type of ballast, the protection circuit is a requirement.

2. Schematic diagram

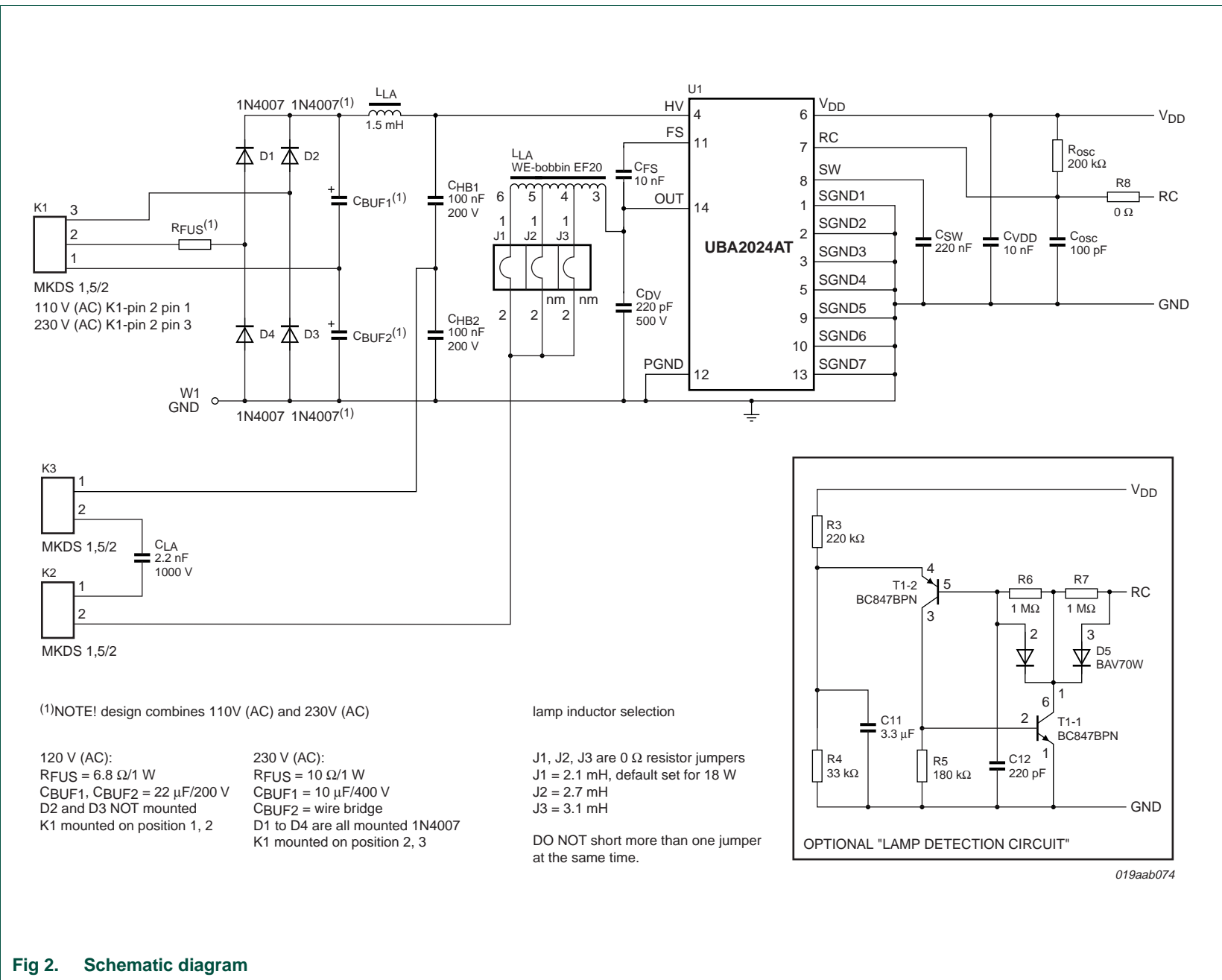


Fig 2. Schematic diagram

3. Specification

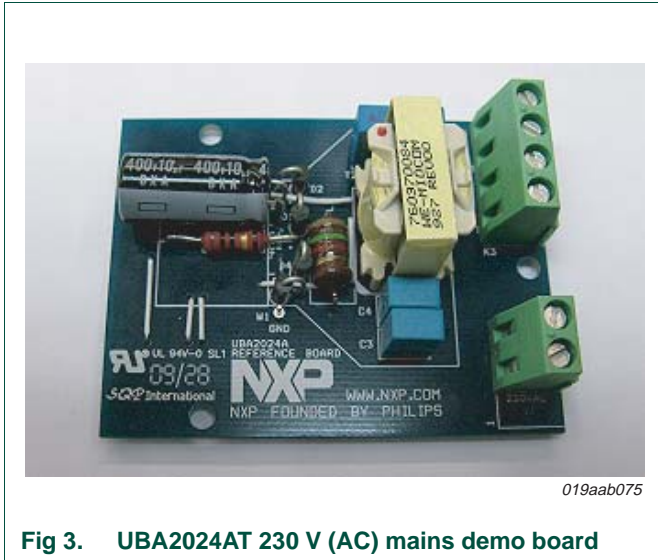


Fig 3. UBA2024AT 230 V (AC) mains demo board

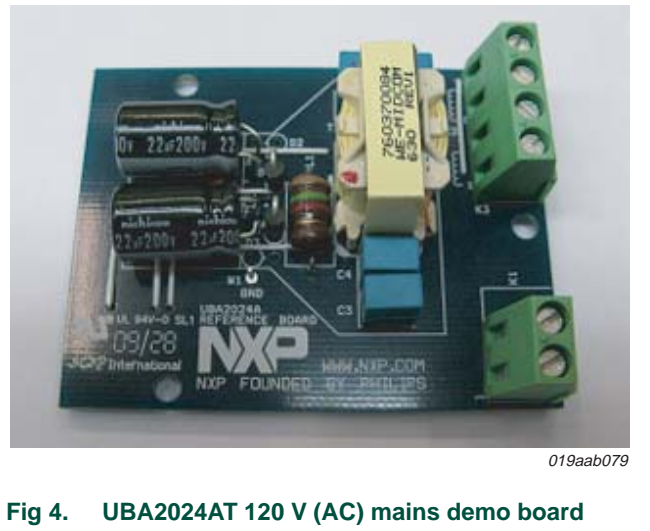


Fig 4. UBA2024AT 120 V (AC) mains demo board

The UBA2024AT demo board is set up to drive an 18 W burner with a G24q-2 type of socket. The specifications for this setup are:

230 V (AC):

- Input voltage range: 230 V (AC); $\pm 15\%$; 50 Hz
- Input power: 18 W at 230 V (AC)
- Input current: 145 mA at 230 V (AC)
- Power factor: 0.54
- Running frequency 44 kHz; start frequency 110 kHz
- 700 ms quasi-preheat

120 V (AC):

- Input voltage range: 120 V (AC); $\pm 15\%$; 60 Hz
- Input power: 18 W at 120 V (AC)
- Input current: 255 mA at 120 V (AC)
- Power factor: 0.59
- Running frequency 44 kHz; start frequency 110 kHz
- 700 ms quasi-preheat

Protective functions:

- No load and lamp removal protection by means of external protection circuit

Burners:

- Osram Dulux D/E 18 W; 4-pin; G24q-2
- Philips PL-C 18 W; 4-pin; G24q-2

- General Electric F18DBX ECO 4P; G24q-2

Other burners that are electrically possible and safe to use:

- Osram Dulux T/E 18 W; 4-pin; Gx24q-2
- Philips PL-T 18 W; 4-pin; Gx24q-2
- General Electric F18TBX ECO 4P; GX24q-2
- All T2 or T3 16.5 W burners with 80 V lamp voltage and 210 mA lamp current

3.1 Board connections

The connection to the lamp is very straight forward as the [Figure 5](#) and [Figure 6](#) show. The board has been designed to accommodate layouts for 120 V (AC) or 230 V (AC) line voltages. An ordered board is preset for a certain line voltage. The labeling on the board for the mains voltage connector has been designed in such a way that the correct line voltage label becomes visible when the two way screw terminal block for the mains voltage is soldered to the proper position.

When a board for a specific line voltage is ordered, the customer is free to set it up for a different line voltage. Ensure that the position of the two way screw terminal block is changed accordingly, so the correct mains voltage label is visible.

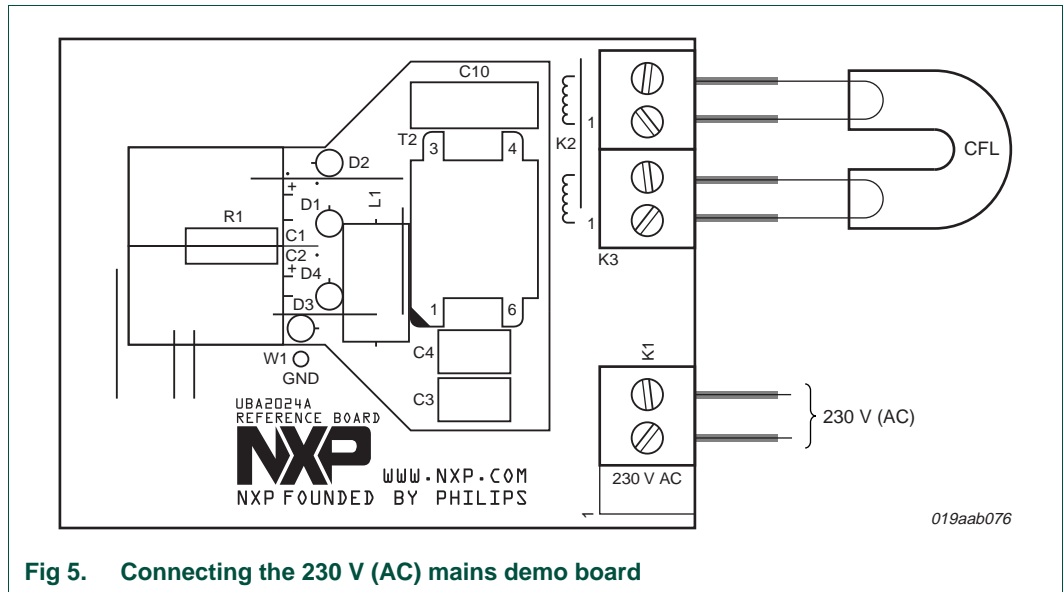


Fig 5. Connecting the 230 V (AC) mains demo board

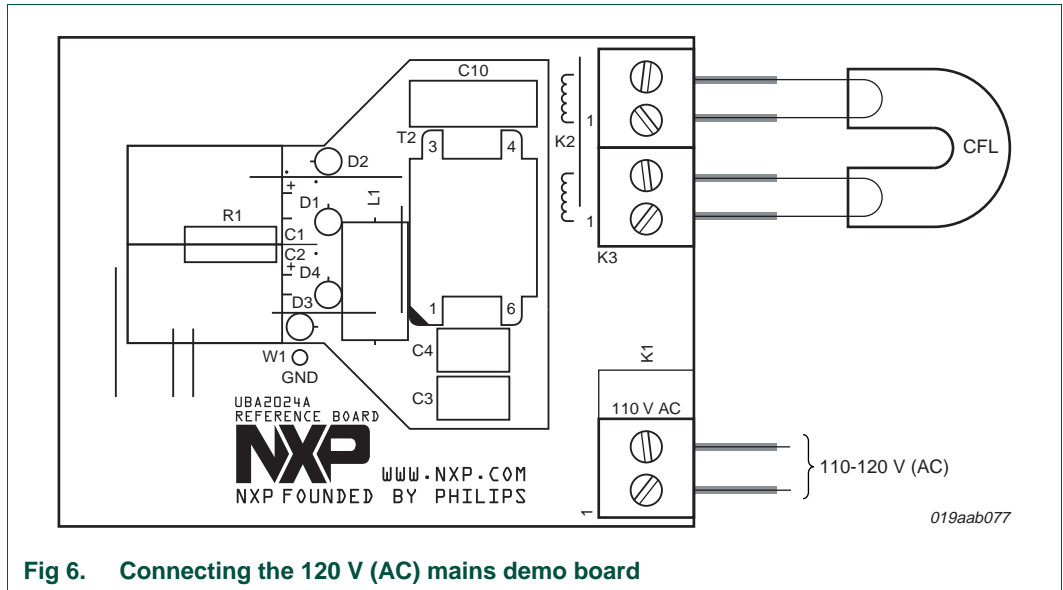


Fig 6. Connecting the 120 V (AC) mains demo board

3.2 Lamp inductor selection

The inductor supplied with this board has been made to accommodate three inductors in one. This makes setting up the board for different lamp powers easier, since it is much easier to change the lamp capacitor than the lamp inductor. It also speeds up the design time (see [Section 5](#) and the application note *AN10713 “18 W CFL lamp design using UBA2024 application development tool and application examples”*).

[Figure 5](#) shows how to select a different lamp inductor. The inductor can be set for 2.1 mH (default setting on delivery for the 18 W lamp), 2.7 mH, and 3.1 mH. The saturation current for the 2.1 mH inductor setting is 1.1 A at 125 °C ambient.

Remark: Only short one jumper, otherwise the inductor windings become shorted.

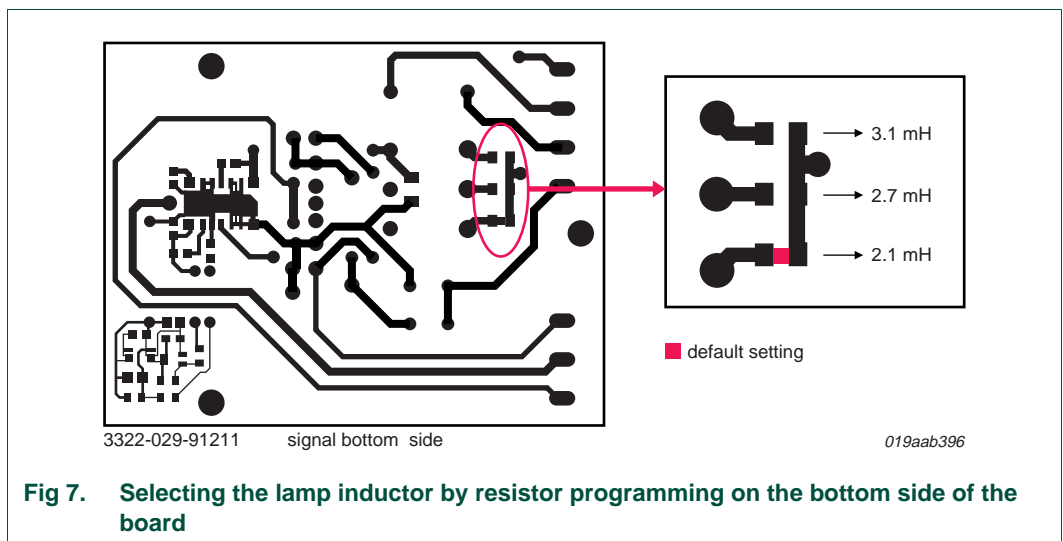


Fig 7. Selecting the lamp inductor by resistor programming on the bottom side of the board

3.3 Bill of materials 18 W lamp

Table 1. 18 W lamp (16.5 W; 145 mA burner; requiring warm ignition; $f_0 = 45$ kHz)

Reference	Description	Remarks	115 V; 60 Hz	230 V; 50 Hz
R _{FUS}	fusible inrush current limiter resistor	special type, fusible, high peak power	6.8 Ω	10 Ω
D1, D2	voltage doubler diodes	-	1N4007	-
D1, D4	bridge rectifier diodes	-	-	1N4007
C _{BUF1} , C _{BUF2}	buffer capacitors	high temperature electrolytic type	22 μ F; 200 V	-
C _{BUF1}	buffer capacitor	high temperature electrolytic type	-	10 μ F; 400 V
L _{FILT}	filter inductor	axial type	1.5 mH; 300 mA	1.5 mH; 300 mA
C _{HB1} , C _{HB1}	half-bridge capacitors	-	100 nF; 400 V	100 nF; 400 V
C _{LA}	lamp capacitor	high voltage polypropylene film type capable of withstanding peak voltages	2.2 nF; 800 V	2.2 nF; 800 V
L _{LA}	lamp inductor	E20 core for lamp powers up to 23 W; Würth electronic type: 760370084 (see Section 6); J1 = closed; J2 = open; J3 = open	2.1 mH	2.1 mH
C _{DV}	dV/dt limiting capacitor	-	220 pF; 500 V	220 pF; 500 V
C _{FS}	floating supply buffer capacitor	SMD: X7R type; leaded; PET type; high temperature	10 nF; 50 V	10 nF; 50 V
C _{VDD}	low voltage supply buffer capacitor	SMD: X7R type; leaded; PET type; high temperature	10 nF; 50 V	10 nF; 50 V
C _{OSC}	oscillator capacitor	SMD: NP0 type; leaded: C0G type, preferably high accuracy value type	100 pF; 50 V; 2 %	100 pF; 50 V; 2 %
R _{OSC}	oscillator resistor	preferably E96 series high accuracy value type	200 k Ω ; 1/8 W; 1 %	200 k Ω ; 1/8 W; 1 %
C _{SW}	sweep time capacitor	SMD: X7R type; leaded; PET type; high temperature	220 nF; 50 V	220 nF; 50 V
U1	CFL half-bridge driver IC	NXP ordering code: 9352 895 91518	UBA2024AT	UBA2024AT

Table 2. Components values for the optional lamp detection circuit

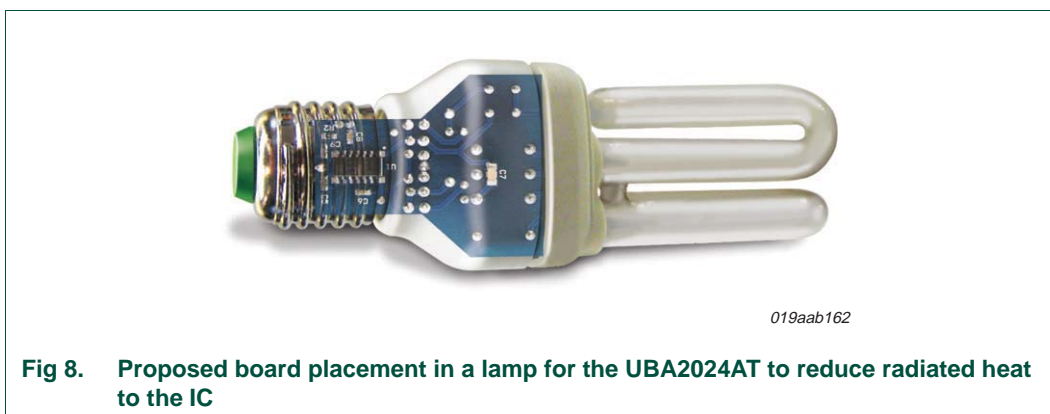
Reference	Description	Remarks	Value
R3	resistor	preferably E24 series high accuracy value type	220 k Ω ; 0.125 W; 1 %
R4	resistor	preferably E24 high accuracy value type	33 k Ω ; 0.125 W; 1 %
R5	resistor	-	180 k Ω ; 0.125 W
R6, R7	resistor	-	1 M Ω ; 0.125 W
C11	ignition time-out capacitor	MLCC X7R type with a voltage rating ≥ 10 V	3.3 μ F; 10 V
C12	capacitor	ceramic or MLCC NP0 or leaded C0G type	220 pF; 16 V
D5	double diode common cathode	-	-
Q1-1, Q2-2	PNP/NPN transistor in one package or use separate transistors.	$h_{fe} > 100$ at 10 μ A	BC847BNP
	Q1-1	$h_{fe} > 100$ at 10 μ A	BC847B
	Q2-2	$h_{fe} > 100$ at 10 μ A	BC857B

4. Thermal considerations for the SO14 package

As can be seen on [Figure 3](#) and [Figure 4](#) the board outline for the UBA2024AT in the SO14 package drawn on the demo board is T shaped. The reason for this shape is that an actual board with a similar shape is intended to be mounted vertically into a CFL lamp base. In this way distance is created between lamp filaments and the IC.

In most situations, the PCB is mounted horizontally into a lamp base, but since the UBA2024AT is a SMD component this would mean the IC is very close to the lamp filaments. The lamp filaments would directly radiate heat onto the IC. This would limit the IC drive capabilities. It is recommended to either mount some form of heat shield in between the lamp filaments and the PCB or to mount the PCB vertically into the lamp socket. This increases the distance between IC and Lamp filaments.

Another solution is to mount the SMD components: C_{FS} , C_{VDD} , C_{OSC} , R_{OSC} , C_{SW} and the UBA2024AT onto a separate PCB and mount this PCB perpendicular onto a horizontal PCB under the lamp that contains all the leaded components. In this way the horizontal PCB serves as a shield between the lamp filaments and the heat sensitive components on the vertical PCB.



5. Examples of different lamp powers

5.1 8 W lamp

Table 3. 8 W lamp (7 W; 150 mA burner; suited for cold ignition; $f_0 = 46$ kHz)

Reference	Description	Remarks	115 V; 60 Hz	230 V; 50 Hz
R _{FUS}	fusible inrush current limiter resistor	special type, fusible, high peak power	10 Ω	39 Ω
D1, D2	voltage doubler diodes		1N4007	-
D1, D4	bridge rectifier diodes		-	1N4007
C _{BUF1} , C _{BUF2}	buffer capacitors	high temperature electrolytic type	10 μ F; 200 V	-
C _{BUF1}	buffer capacitor	high temperature electrolytic type		3.3 μ F; 400 V
L _{FILT}	filter inductor	axial type	2.7 mH; 200 mA	2.7 mH; 200 mA
C _{HB1} , C _{HB1}	half -bridge capacitors		47 nF; 400 V	47 nF; 400 V
C _{LA}	lamp capacitor	high voltage polypropylene film type capable of withstanding peak voltages	1.5 nF; 800 V	1.5 nF; 800 V
L _{LA}	lamp inductor	E20 core for lamp powers up to 23 W; Würth electronic type: 760370084 (see Section 6); J1 = open; J2 = open; J3 = short	3.1 mH	3.1 mH
C _{DV}	dV/dt limiting capacitor		220 pF; 500 V	220 pF; 500 V
C _{FS}	floating supply buffer capacitor	SMD: X7R type; leaded; PET type; high temperature	10 nF; 50 V	10 nF; 50 V
C _{VDD}	low voltage supply buffer capacitor	SMD: X7R type; leaded; PET type; high temperature	10 nF; 50 V	10 nF; 50 V
C _{OSC}	oscillator capacitor	SMD: NP0 type; leaded: C0G type, preferably high accuracy value type	180 pF; 50 V; 2 %	180 pF; 50 V; 2 %
R _{OSC}	oscillator resistor	preferably E24 series high accuracy value type	110 k Ω ; 1/8 W; 1 %	110 k Ω ; 1/8 W; 1 %
C _{SW}	sweep time capacitor	SMD: X7R type; leaded; PET type; high temperature	68 nF; 50 V	68 nF; 50 V

5.2 11 W lamp

Table 4. 11 W lamp (9.5 W; 150 mA burner; suited for cold ignition; $f_0 = 42.5$ kHz)

Reference	Description	Remarks	115 V; 60 Hz	230 V; 50 Hz
R _{FUS}	fusible inrush current limiter resistor	special type, fusible, high peak power	8.2 Ω	33 Ω
D1, D2	voltage doubler diodes		1N4007	-
D1, D4	bridge rectifier diodes		-	1N4007
C _{BUF1} , C _{BUF2}	buffer capacitors	high temperature electrolytic type	15 μ F; 200 V	-
C _{BUF1}	buffer capacitor	high temperature electrolytic type	-	4.7 μ F; 400 V
L _{FILT}	filter inductor	axial type	2.7 mH; 200 mA	2.7 mH; 200 mA
C _{HB1} , C _{HB1}	half-bridge capacitors		47 nF; 400 V	47 nF; 400 V
C _{LA}	lamp capacitor	high voltage polypropylene film type capable of withstanding peak voltages	1.5 nF; 800 V	1.5 nF; 800 V

Table 4. 11 W lamp (9.5 W; 150 mA burner; suited for cold ignition; $f_0 = 42.5$ kHz) ...continued

Reference	Description	Remarks	115 V; 60 Hz	230 V; 50 Hz
L _{LA}	lamp inductor	E20 core for lamp powers up to 23 W; Würth electronic type: 760370084 (see Section 6); J1 = open; J2 = open; J3 = short	3.1 mH	3.1 mH
C _{DV}	dV/dt limiting capacitor		220 pF; 500 V	220 pF; 500 V
C _{FS}	floating supply buffer capacitor	SMD: X7R type; leaded; PET type; high temperature	10 nF; 50 V	10 nF; 50 V
C _{VDD}	low voltage supply buffer capacitor	SMD: X7R type; leaded; PET type; high temperature	10 nF; 50 V	10 nF; 50 V
C _{OSC}	oscillator capacitor	SMD: NP0 type; leaded: C0G type, preferably high accuracy value type	180 pF; 50 V; 2 %	180 pF; 50 V; 2 %
R _{OSC}	oscillator resistor	preferably E24 series high accuracy value type	120 k Ω ; 1/8 W; 1 %	120 k Ω ; 1/8 W; 1 %
C _{SW}	sweep time capacitor	SMD: X7R type; leaded; PET type; high temperature	68 nF; 50 V	68 nF; 50 V

5.3 13 W lamp

Table 5. 13 W lamp (12 W; 150 mA burner; suited for warm ignition; $f_0 = 44$ kHz)

Reference	Description	Remarks	115 V; 60 Hz	230 V; 50 Hz
R _{FUS}	fusible inrush current limiter resistor	special type, fusible, high peak power	6.8 Ω	10 Ω
D1, D2	voltage doubler diodes		1N4007	-
D1, D4	bridge rectifier diodes		-	1N4007
C _{BUF1} , C _{BUF2}	buffer capacitors	high temperature electrolytic type	10 μ F; 200 V	-
C _{BUF1}	buffer capacitor	high temperature electrolytic type	-	6.8 μ F; 400 V
L _{FILT}	filter inductor	axial type	2.2 mH; 200 mA	2.2 mH; 200 mA
C _{HB1} , C _{HB1}	half-bridge capacitors		100 nF; 400 V	100 nF; 400 V
C _{LA}	lamp capacitor	high voltage polypropylene film type capable of withstanding peak voltages	1.5 nF; 800 V	1.5 nF; 800 V
L _{LA}	lamp inductor	E20 core for lamp powers up to 23 W; Würth electronic type: 760370084 (see Section 6); J1 = open; J2 = open; J3 = short	3.1 mH	3.1 mH
C _{DV}	dV/dt limiting capacitor		220 pF; 500 V	220 pF; 500 V
C _{FS}	floating supply buffer capacitor	SMD: X7R type; leaded; PET type; high temperature	10 nF; 50 V	10 nF; 50 V
C _{VDD}	low voltage supply buffer capacitor	SMD: X7R type; leaded; PET type; high temperature	10 nF; 50 V	10 nF; 50 V
C _{OSC}	oscillator capacitor	SMD: NP0 type; leaded: C0G type, preferably high accuracy value type	100 pF; 50 V; 5 %	100 pF; 50 V; 5 %
R _{OSC}	oscillator resistor	preferably E24 series high accuracy value type	200 k Ω ; 1/8 W; 1 %	200 k Ω ; 1/8 W; 1 %
C _{SW}	sweep time capacitor	SMD: X7R type; leaded; PET type; high temperature	220 nF; 50 V	220 nF; 50 V

6. Inductor specification

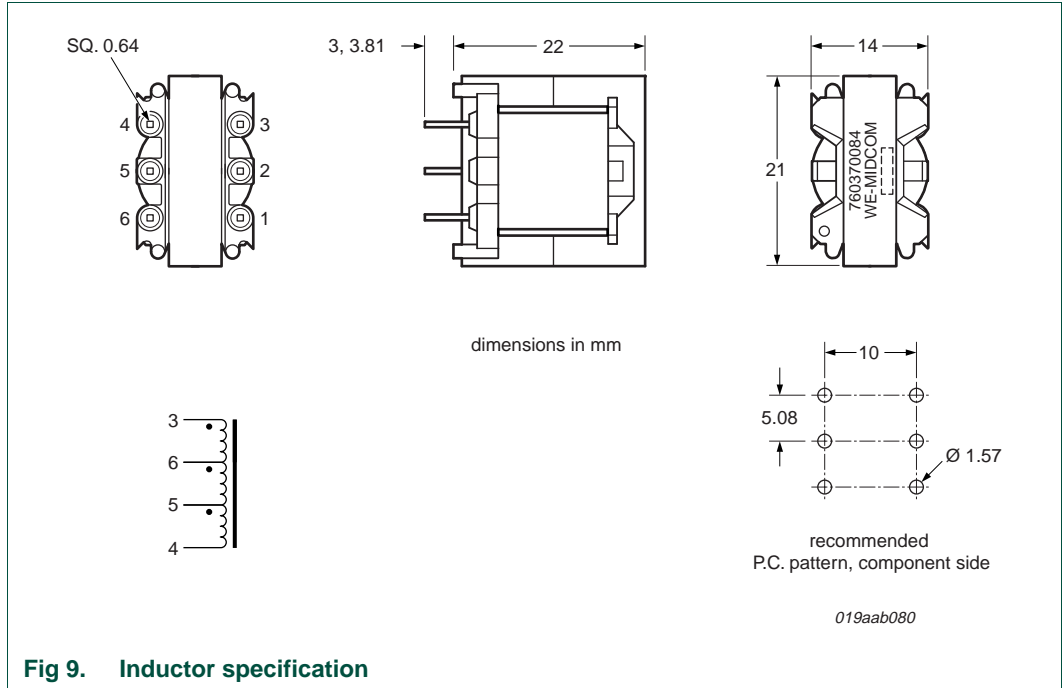


Fig 9. Inductor specification

Remark: The following electrical specifications are at 25 °C unless otherwise specified.

6.1 D.C. RESISTANCE (at 20 °C)

- 3 to 6: 4.75 $\Omega \pm 20 \%$
- 6 to 5: 0.630 $\Omega \pm 20 \%$
- 5 to 4: 0.465 $\Omega \pm 20 \%$

6.2 INDUCTANCE

- 2.20 mH $\pm 10 \%$, 10 kHz, 100 m V (AC), 0 mA DC, 3 to 6, Ls
- 2.70 mH $\pm 15 \%$, 10 kHz, 100 m V (AC), 0 mA DC, 3 to 5, Ls
- 3.10 mH $\pm 15 \%$, 10 kHz, 100 m V (AC), 0 mA DC, 3 to 4, Ls

6.3 OPERATING TEMPERATURE RANGE

- -40 °C to +125 °C including temp rise

7. Legal information

7.1 Definitions

Draft — The document is a draft version only. The content is still under internal review and subject to formal approval, which may result in modifications or additions. NXP Semiconductors does not give any representations or warranties as to the accuracy or completeness of information included herein and shall have no liability for the consequences of use of such information.

7.2 Disclaimers

Limited warranty and liability — Information in this document is believed to be accurate and reliable. However, NXP Semiconductors does not give any representations or warranties, expressed or implied, as to the accuracy or completeness of such information and shall have no liability for the consequences of use of such information.

In no event shall NXP Semiconductors be liable for any indirect, incidental, punitive, special or consequential damages (including - without limitation - lost profits, lost savings, business interruption, costs related to the removal or replacement of any products or rework charges) whether or not such damages are based on tort (including negligence), warranty, breach of contract or any other legal theory.

Notwithstanding any damages that customer might incur for any reason whatsoever, NXP Semiconductors' aggregate and cumulative liability towards customer for the products described herein shall be limited in accordance with the *Terms and conditions of commercial sale* of NXP Semiconductors.

Right to make changes — NXP Semiconductors reserves the right to make changes to information published in this document, including without limitation specifications and product descriptions, at any time and without notice. This document supersedes and replaces all information supplied prior to the publication hereof.

Suitability for use — NXP Semiconductors products are not designed, authorized or warranted to be suitable for use in life support, life-critical or safety-critical systems or equipment, nor in applications where failure or malfunction of an NXP Semiconductors product can reasonably be expected to result in personal injury, death or severe property or environmental damage. NXP Semiconductors accepts no liability for inclusion and/or use of NXP Semiconductors products in such equipment or applications and therefore such inclusion and/or use is at the customer's own risk.

Applications — Applications that are described herein for any of these products are for illustrative purposes only. NXP Semiconductors makes no representation or warranty that such applications will be suitable for the specified use without further testing or modification.

Customers are responsible for the design and operation of their applications and products using NXP Semiconductors products, and NXP Semiconductors accepts no liability for any assistance with applications or customer product design. It is customer's sole responsibility to determine whether the NXP Semiconductors product is suitable and fit for the customer's applications and products planned, as well as for the planned application and use of customer's third party customer(s). Customers should provide appropriate design and operating safeguards to minimize the risks associated with their applications and products.

NXP Semiconductors does not accept any liability related to any default, damage, costs or problem which is based on any weakness or default in the customer's applications or products, or the application or use by customer's third party customer(s). Customer is responsible for doing all necessary testing for the customer's applications and products using NXP Semiconductors products in order to avoid a default of the applications and the products or of the application or use by customer's third party customer(s). NXP does not accept any liability in this respect.

Safety of high-voltage evaluation products — The non-insulated high voltages that are present when operating this product, constitute a risk of electric shock, personal injury, death and/or ignition of fire. This product is intended for evaluation purposes only. It shall be operated in a designated test area by personnel that is qualified according to local requirements and labor laws to work with non-insulated mains voltages and high-voltage circuits.

The product does not comply with IEC 60950 based national or regional safety standards. NXP Semiconductors does not accept any liability for damages incurred due to inappropriate use of this product or related to non-insulated high voltages. Any use of this product is at customer's own risk and liability. The customer shall fully indemnify and hold harmless NXP Semiconductors from any liability, damages and claims resulting from the use of the product.

Export control — This document as well as the item(s) described herein may be subject to export control regulations. Export might require a prior authorization from national authorities.

Evaluation products — This product is provided on an "as is" and "with all faults" basis for evaluation purposes only. NXP Semiconductors, its affiliates and their suppliers expressly disclaim all warranties, whether express, implied or statutory, including but not limited to the implied warranties of non-infringement, merchantability and fitness for a particular purpose. The entire risk as to the quality, or arising out of the use or performance, of this product remains with customer.

In no event shall NXP Semiconductors, its affiliates or their suppliers be liable to customer for any special, indirect, consequential, punitive or incidental damages (including without limitation damages for loss of business, business interruption, loss of use, loss of data or information, and the like) arising out of the use of or inability to use the product, whether or not based on tort (including negligence), strict liability, breach of contract, breach of warranty or any other theory, even if advised of the possibility of such damages.

Notwithstanding any damages that customer might incur for any reason whatsoever (including without limitation, all damages referenced above and all direct or general damages), the entire liability of NXP Semiconductors, its affiliates and their suppliers and customer's exclusive remedy for all of the foregoing shall be limited to actual damages incurred by customer based on reasonable reliance up to the greater of the amount actually paid by customer for the product or five dollars (US\$5.00). The foregoing limitations, exclusions and disclaimers shall apply to the maximum extent permitted by applicable law, even if any remedy fails of its essential purpose.

7.3 Trademarks

Notice: All referenced brands, product names, service names and trademarks are the property of their respective owners.

8. Contents

1	Introduction	3
1.1	General description	3
2	Schematic diagram	5
3	Specification	6
3.1	Board connections	7
3.2	Lamp inductor selection	8
3.3	Bill of materials 18 W lamp	9
4	Thermal considerations for the SO14 package ..	10
5	Examples of different lamp powers	11
5.1	8 W lamp	11
5.2	11 W lamp	11
5.3	13 W lamp	12
6	Inductor specification	13
6.1	D.C. RESISTANCE (at 20 °C)	13
6.2	INDUCTANCE	13
6.3	OPERATING TEMPERATURE RANGE	13
7	Legal information	14
7.1	Definitions	14
7.2	Disclaimers	14
7.3	Trademarks	14
8	Contents	15

Please be aware that important notices concerning this document and the product(s) described herein, have been included in section 'Legal information'.

© NXP B.V. 2011.

All rights reserved.

For more information, please visit: <http://www.nxp.com>

For sales office addresses, please send an email to: salesaddresses@nxp.com

Date of release: 25 January 2011

Document identifier: UM10387